



Ice Cream Machines (Gelato & Sorbet)

Crea 6K, Crea 10K

The Crea 6K and 10K take it one step further. In addition to the sophisticated software available with the Crea 5 series, these units are equipped with an Electronic Inverter System, allowing you to control and regulate the speed of the blades as you wish. The Crea 6K is the compact unit perfect for any countertop operation, and the freestanding* Crea 10K gives you freedom to move the unit. *Freestanding units come with locking wheels.



Sophisticated software with **autonomous** functions. The possibilities for your frozen confections are limitless with the Crea Series by Nemox.

Features:

- Manual or Automatic Operation
- Large opening lid with magnetic safety device
- Easy cleaning through the drain valve
- Stainless Steel construction (body and blade with adjustable and replaceable scrapers)
- Air cooling
- In addition to the standard manual setting, these units all have:

4 Production Programs

+ 4 Storage Programs: Adaptable to the needs and characteristics of the product

Crea 6K



Crea 10K



GELATO CLASSICO
Full-bodied, intense flavor



SEMI-SOFT ICE CREAM
Soft, can be shaped into molds



GRANITA
With ice crystals clearly defined



SHOCK FREEZE
Any liquid: from 176-50°F (80-10°C) in 8 mins



Crea 5K

Other models available:



Crea 5+5K



These programs allow the machines to operate autonomously, leaving you free to focus on other tasks. The software automatically regulates the density of the product and activates the appropriate storage program, maintaining optimal temperature and consistency for dispensing.

Avoid unnecessary waste: adding ingredients can be done as the volume in the machine is depleted. In about 4-5 minutes, the desired quantity and consistency will be replenished at the perfect temperature, ready for dispensing.

Ice Cream Machines

(Gelato & Sorbet)



Warranty
(1) year parts & labor

0038181250R02
Crea 6K

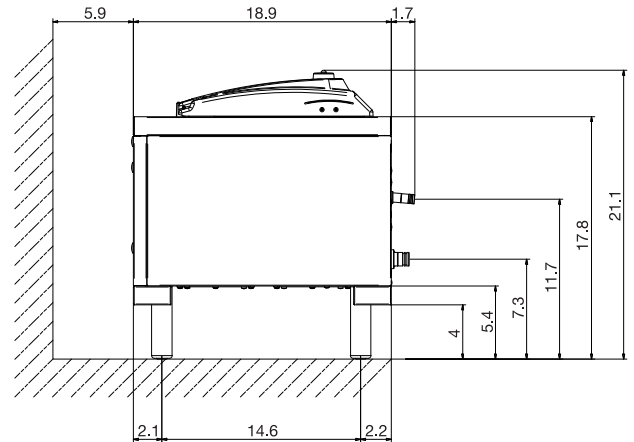
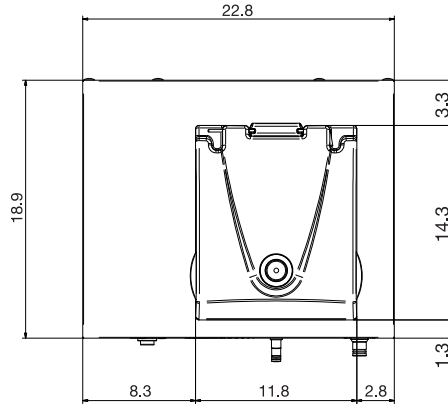
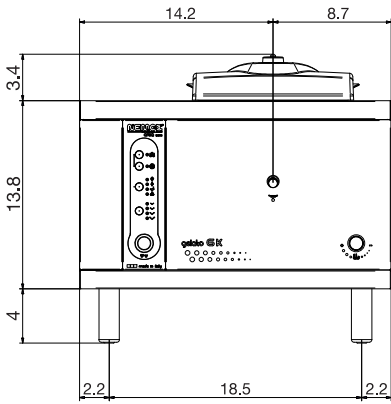
0038111250R01
Crea 10K

Single Bowl

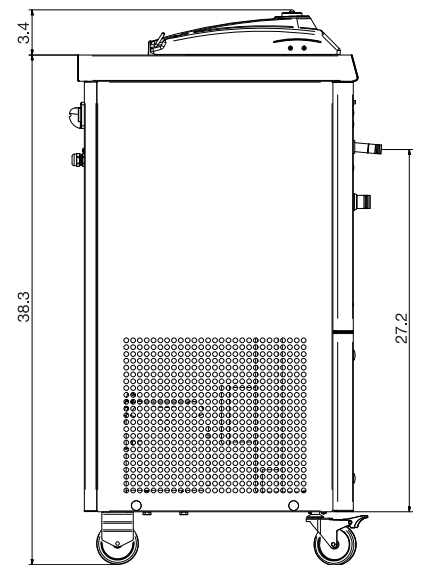
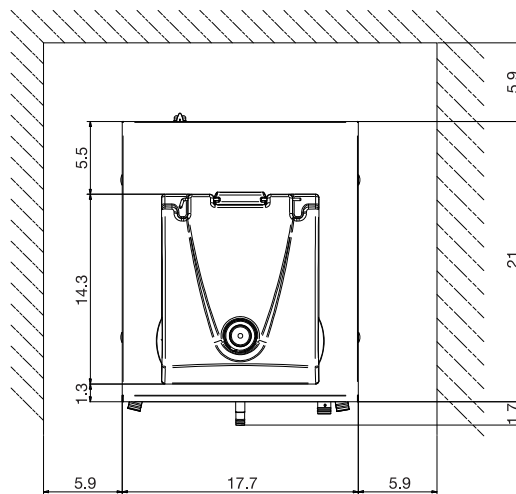
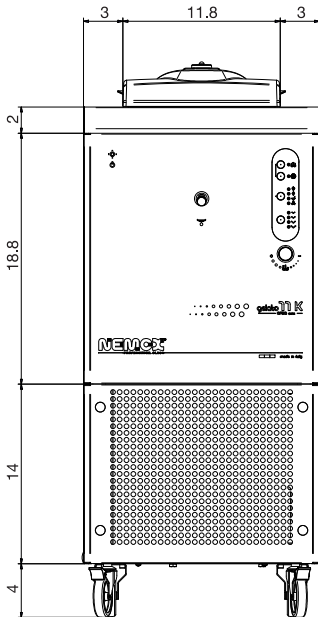
Single Bowl,
Freestanding on Wheels

| | | |
|-------------------------------|--|---|
| Power | 120V, 800W, 6.7A, 5-15P | 120V, 1100W, 9A, 5-15P |
| Production Capacity | 1.8 Qt (1.70 L) per cycle 10.6 Qt (10 L) per hour | 2.8 Qt (2.7 L) per cycle 15 Qt (14.2 L) per hour |
| Average Cycle Duration | 12-15 mins | 12-15 mins |
| Bowl Capacity | 5.4 Qt (5 L) | 6.34 Qt (6 L) |
| Speed | 5-115 RPM | 60-130 RPM |
| Dimensions (L x W x H) | 20.6" x 23" x 21" | 22.7" x 17.8" x 41.7" |
| Net weight | 92.5 lbs | 148 lbs |
| Ship Dim. (L x W x H) | 23.25" x 25.2" x 24.75" | 26" x 23.5" x 52.75" |
| Ship weight | 110 lbs | 159 lbs |

Crea 6K



Crea 10K



Dimensions expressed in inches

Printed: 06.2020