

STELLA espresso

from

UNIC

MODEL
EPIC
3 GROUP

installation checklist

PRODUCT CODE : E3



Quick Reference Specifications:

Dimensions: 20"(H)X 27"(L)X 39"(W)

Weight: 220 lbs (full)

Electrical Requirements: Volts: 208-240/Watts: 6700/Amps: 30

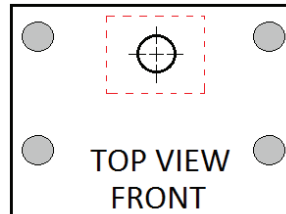
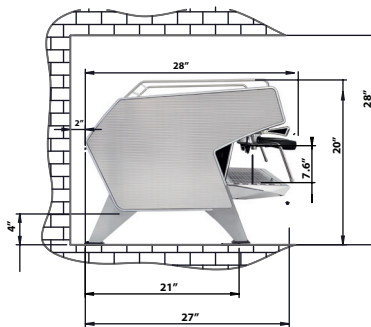
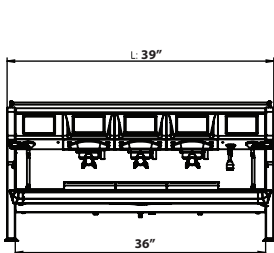
Plumbing Requirements: Flow: 30GPH (minimum) Pressure: 20psi (minimum) Hardness: 3 GPG (maximum)

Fitting: 3/8" Compression with shut off

Drainage Requirements: Open gravity drain of 1.25" ID (min) within 4 feet of machine.

The following information will assist you in preparing your location for the installation of your equipment. Please make sure everything is prepared to these specifications prior to scheduling your installation. Once everything is complete, check the appropriate boxes and sign the bottom of the form.

COUNTER SPACE REQUIREMENTS: **CONFIRMED** – 2.5" ACCESS HOLE IS IN PLACE



PLEASE NOTE: There are 4 inch leg extensions shipped with the machine, but not installed. Their use is optional, but highly recommended for ease of cleaning under the unit.

⊕ = 2.5" HOLE IN COUNTER TOP FOR ELECTRICAL AND PLUMBING CONNECTIONS

⊞ = USABLE AREA FOR ACCESS HOLE

WATER REQUIREMENTS: **CONFIRMED** - WATER HARDNESS LEVEL _____ GPG



- *Machine must be supplied with a minimum of 30 Gallons per hour @ 20 PSI.
- *For examples of appropriate supply fittings, see examples at left. - 3/8 Compression
- *If water hardness levels exceed 3 GPG (Grains per Gallon) a water softener **MUST** be installed. Exceeding these levels will void the manufacturer's warranty. (Check appropriate box below)

- I have tested the water hardness and it is 3 GPG or less (see above).
- I already have a suitable water softener and its output is 3 GPG or less (see above).
- I have tested the water hardness level and it is written above. Please supply me with the appropriate water softener at time of installation.

ELECTRICAL REQUIREMENTS: **CONFIRMED**

208-240V/30AMP/6700WATT

Dedicated 30 AMP Plug within 4 feet of installation location.

Outlet is NEMA: L6-30



DRAINAGE REQUIREMENTS: **CONFIRMED**

Access to open gravity drain no smaller than 1.25" ID (Inner Diameter). Drain **MUST** be within 4 feet of the machine for proper drainage.

By signing below, I am confirming that all installation requirements have been met. I also understand that if all the requirements have not been met, I may be subject to additional installation and travel charges beyond the original estimate.

Signature _____ Printed Name _____ Date _____

